

**HALF  
OFF  
PONDS**  
.com



# **CleanSweep 1400 User Manual**

# Included Accessories:

 **MISSING PARTS?**  
THERE IS NO NEED TO  
RETURN THIS PRODUCT TO  
YOUR RETAILER.  
CALL US AT 1-800-553-5605  
AND **WE WILL MAKE IT RIGHT!**



**Intake Hose**



**Outfeed Hose**



**Extension Tubes**

**Nozzles**





# PLEASE READ THIS MANUAL SAVE FOR FUTURE REFERENCE

## Introduction

Congratulations on your purchase of Half Off Ponds' CleanSweep 1400 Pond Vacuum! Thank you for being a valued customer! We are grateful for the opportunity to provide you with superior products that are manufactured to the highest standards using quality materials!

Prior to commissioning the unit, please read the instructions of use carefully and fully familiarize yourself with the unit. Ensure that all work with this unit is only carried out in accordance with these instructions. Adhere to the safety information for the correct and safe use of the unit. Keep these instructions in a safe place! Please also hand over the instructions when passing the unit on to a new owner.

## Symbols

The symbols used in this operating manual have the following meanings:



### **Risk of injury to persons due to dangerous electrical voltage**

This symbol indicates an imminent danger, which can lead to death or severe injuries if the appropriate measures are not taken.



### **Risk of injury to persons due to a general source of danger**

This symbol indicates an imminent danger, which can lead to death or severe injuries if the appropriate measures are not taken.



### **Important information for trouble-free operation.**

## Intended use

CleanSweep 1400, in the following termed "unit", and all other parts from the delivery scope may be used exclusively as follows:

- For pond sludge removal.
- For use as a dry vacuum cleaner.
- Operation under observance of the technical data.

**Never** use the unit to collect flammable or toxic substances (e.g. benzene, asbestos, asbestos dust, copier toner), volatile substances, acids, hot or glowing ash, dust, sand or similar dirt.

## Safety Information

The company Half Off Ponds has built this unit according to the state of the art and valid safety regulations. Despite the above, hazards for persons and assets can emanate from this unit if it is used in an improper manner or not in accordance with its intended use, or if the safety instructions are ignored.

**For safety reasons, children and young persons under 16 years of age as well as persons who cannot recognize possible danger or who are not familiar with these operating instructions, are not permitted to use the unit. Keep children under supervision to ensure that they do not play with the unit.**

### Hazards encountered by the combination of water and electricity



The combination of water and electricity can lead to death or severe injury from electrocution, if the unit is incorrectly connected or misused.

Prior to reaching into the water, always switch off the mains voltage to all units used in the water.

### Correct Electrical Installation



- Electrical installations must meet the national regulations and may only be carried out by a qualified electrician. For your own safety, please consult a qualified electrician.
- A person is regarded as a qualified electrician, if, due to his/her vocational education, knowledge and experience, he or she is capable of and authorized to judge and carry out the work commissioned to him/her. Working as a qualified person also includes the recognition of possible hazards and the adherence to the pertinent regional and national standards, rules and regulations.
- The unit may only be connected when the electrical data of the unit and the power supply coincide. The unit data is to be found on the unit type plate or on the packaging, or in this manual.
- Ensure that the unit is fused for a rated fault current of max. 30 mA by means of a fault current protection device.
- Extension cables and power distributors (e.g. outlet strips) must be suitable for outdoor use.
- Minimum safety distance between the unit and the water is 6 feet.
- Ensure that the power connection cable cross section is not smaller than that of the rubber sheath with the identification H05RN-F. Extension cables must meet DIN VDE 0620.
- Protect the plug connections from moisture.
- Only plug the unit into a correctly fitted socket.

## Safe operation

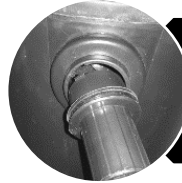


- Never operate the unit if either the electrical cables or the housing is defective!
- Do not carry or pull the unit by its electrical cable.
- Route all cables such that damage is excluded, and nobody can trip over them.
- Never open the unit housing or its attendant components, unless this is explicitly required in the operating instructions.
- Only use original spare parts and accessories for the unit.
- Never carry out technical modifications to the unit.
- Only have repairs carried out by customer service points authorized by Half Off Ponds.
- Only operate the unit if no persons are in the water!
- Keep the socket and power plug dry.

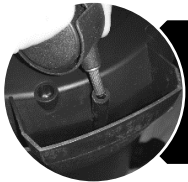
## Installation



Unlock the container locking system and remove motor housing. Remove all loose parts from the collection container.



Using the **black** suction hose, insert into the container while lining up the grooves.



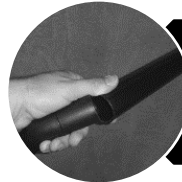
Firmly insert supplied wheels by hand only. Do not use a hammer or excessive force.



After the **black** suction hose is connected to the container to, twist a quarter-turn clockwise to secure.



Install foam filter over the motor head firmly, ensuring it is snug.



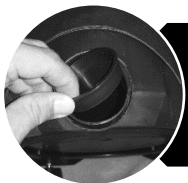
Connect suction hose to hose extensions.



Install the motor head with the clips lined up and sealed on the O-ring with the container locking system.



Install desired nozzle specified for your needs for your water feature.



Remove drain plug from container where the drain hose will be installed.

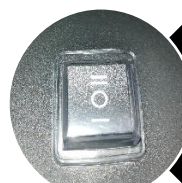


### Optional:

Install debris collection bag on the end of the drain hose **with the check valve flap**. **Do not** install reversed!




**Important:** Using the **grey** drain hose, insert the end without check-valve flap into the container. Do not install reversed!



### Operation:

When using as a pond vacuum, only use the "-" switch option. Do **not** use "=" power option as a pond vacuum.

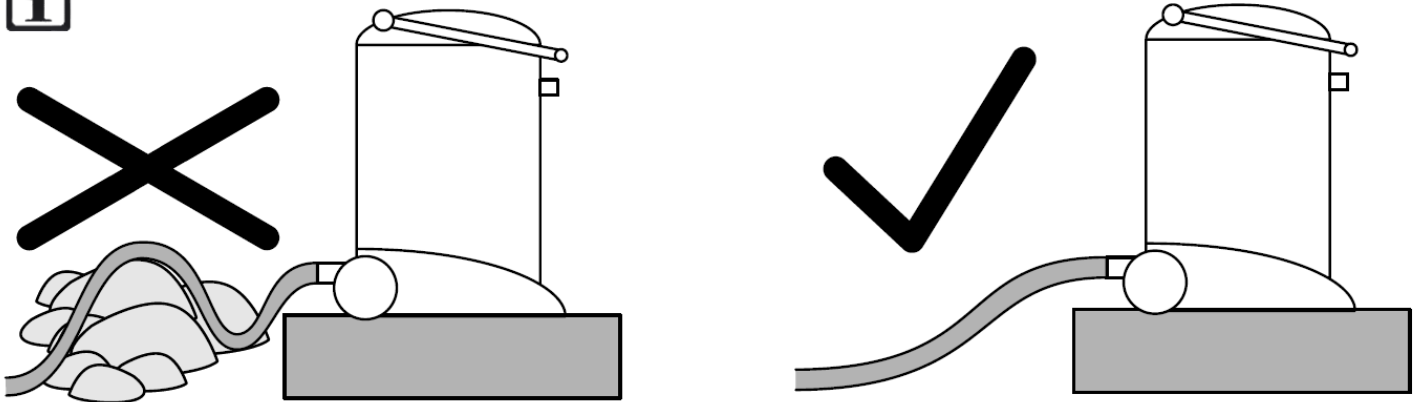


**Operation:**  

**Use as sludge remover**

**Attention!** Never operate the unit without foam filter! This can cause your float valve to get stuck with debris.

- Place the unit at a height meeting the water level at a minimum distance of 6 ft. from the pond
- Connect the unit to the power supply and turn unit on with the switch to “-” power option only!
- **DO NOT OPERATE WITH THE POWER SWITCH IN THE “=” POSITION WHEN USING AS A POND VACUUM! This power option is for an optional dry vacuum feature only.**
- Lead the desired nozzle to the pond bottom.
- Remove the sludge by moving the nozzle slowly and uniformly.
- Nozzle fully open (3/8 in.): Pond foil, no gravel on the bottom, thick layer of sludge
- Nozzle closed (1/16 in.): Pond film, gravel on the bottom, thick layer of sludge. For optimum sludge removal from pond trays and to remove thin layers of sludge, close nozzle shut leaving a 1/16” gap.
- A float valve switch pauses the suction operation when the container has reached its maximum filling level.
- The check valve flap at the end of the grey drain hose opening can now open to drain the sludge water out of the container.
- If possible, lay the drain hose on the bottom such to allow gravity draining of the sludge water during automatic emptying.
- Use of the debris collection bag is optional but will impede the flow of the draining process. We recommend using only when needed. Pond debris sludge can be used as fertilizer on prized landscaping plants.
- The suction operation restarts automatically after 25 seconds. Continue Switch the unit off with switch (A6) when no longer in use.



**Use as a dry vacuum cleaner** 

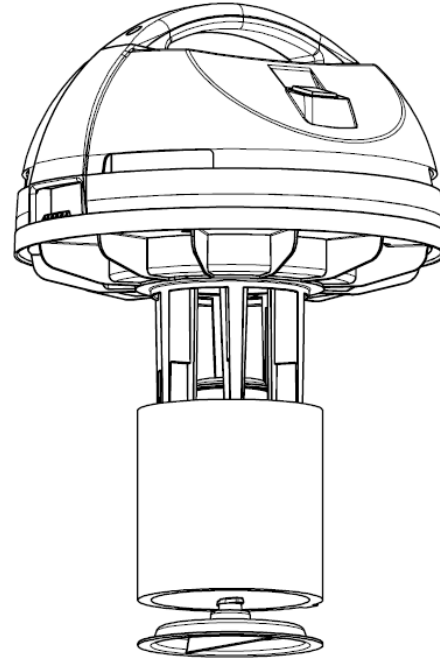
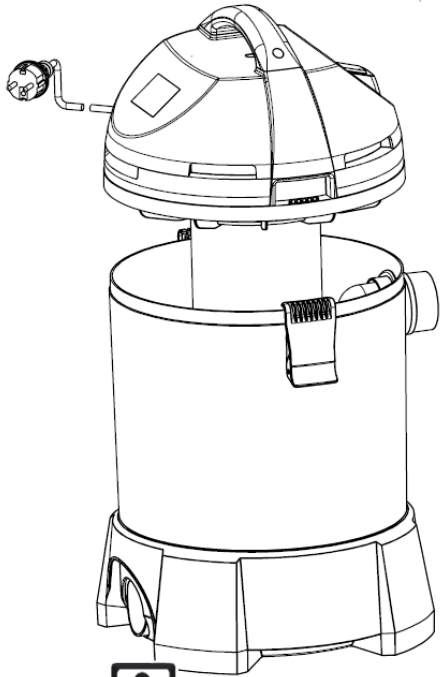
**Attention!** We recommend not using this vacuum as a dry vacuum. This can affect the performance of the water vacuum function.

- Only use the unit as a dry vacuum cleaner with the enclosed filter bag!
- Ensure that the unit stands safely. Switch the unit off with the switch and pull the power plug.
- Unlock the container locking system, remove motor housing.
- Pull the enclosed filter bag over the suction socket inside the container. Refit and lock motor housing.
- Connect the unit to the power supply and turn it on with the switch to “=” power option.
- Select a suitable nozzle. At end of work, switch the unit off at the switch.



## Maintenance and cleaning

- Switch the unit off with the switch and pull the power plug. Remove all hoses and the motor housing.
- Thoroughly rinse the collection container.
- Remove the foam filter and clean it with clear water.
- Check the foam filter and, if damaged, replace it by an original CleanSweep foam filter.
- Check sealing rings for damage and completeness.
- If necessary, change the rubber seal in the drain valve.
- Only use original CleanSweep filter bags.



## Malfunctions

| Trouble Shooting   | Cause  | Remedy   |
|--|--|--|
| The unit does not perform its suction function   | Drain hose incorrectly fitted.   | The non-return valve must be located at the free end of the drain hose.  |
|  | Excessive height difference between water level and unit.  | We recommend to place the unit at a height identical to the water level.   |
| The unit does not reach its full capacity  | Dirt has accumulated in the foam filter, in the suction tube or in the suction hose.               | Remove dirt.   |
|  | Dirt has accumulated in the nonreturn valve at the drain hose preventing it from closing properly. | Remove dirt.   |
| The collection container does not drain, the unit switches off immediately following the drain pause | The collection container cannot drain.   | Lay the drain hose without kinks. Provide a slight gravity for the drain hose. Once drained, the container must be almost completely empty |
|  | Collection container and drain hose are soiled.  | Remove dirt.   |
| Low suction capacity   | The more tubes are used, the higher the tube frictional resistance. The suction capacity reduces.  | How to improve the suction capacity:<br>Hold the suction tube as flat as possible.   |

## Wearing parts

Foam filters, valve rubber parts and filter bags are wearing parts and are, therefore, not covered by our warranty.

## Storage

Empty out the collection container and clean the unit. Store in a dry, frost protected room, inaccessible to children.

## Disposal

Do not dispose of this unit with domestic waste! For disposal purposes, please use the return system provided. Disable the unit beforehand by cutting off the cables.



## LIMITED WARRANTY

CleanSweep Pond Vacuums, manufactured by Half Off Ponds, are warranted to the original user only to be free of defects in material and workmanship for a period of 24 months from the date of purchase, but not more than 30 months from the date of manufacture. Half Off Ponds liability under this warranty shall be limited to repairing or replacing, at Half Off Ponds discretion, without charge, F.O.B. Half Off Ponds will not be liable for any cost of removal, installation, transportation, or any other charges which may arise in connection with a warranty claim.

Products which are sold but not manufactured by Half Off Ponds are subject to the warranty provided by the manufacturer of said product(s) and not by Half Off Ponds warranty. Half Off Ponds will not be liable for damage or wear to products caused by abnormal operating conditions, accident, abuse, misuse, unauthorized alteration or repair, or if the product was not installed in accordance with Half Off Ponds printed installation and operating instructions.

To obtain service under this warranty, the defective product must be returned to the distributor or dealer of Half Off Ponds' products from which it was purchased together with proof of purchase and installation date, failure date, and supporting installation data. Unless otherwise provided, the distributor or dealer will contact Half Off Ponds or an authorized service station for instructions. Any defective product to be returned to Half Off Ponds or a service station must be sent freight prepaid: documentation supporting the warranty claim and/or a Return Merchandise Authorization (RMA) must be included if so instructed. In the absence of suitable proof of purchase date, the effective date of this warranty will be based upon the date of manufacture.

Any replacement product may be either new or like-new, provided that it has functionality at least equal to that of the product being replaced. No requests for service under this warranty will be accepted if received more than 30 days after the term of the warranty. Correction of defects, in the manner and for the duration of the warranty described in this warranty, shall constitute complete fulfillment of all liabilities and responsibilities of Half Off Ponds to the user with respect to the product, and shall constitute full satisfaction of all claims, whether based on contract, negligence, and strict liability or otherwise. Except for the obligations specifically set forth in this warranty, in no event shall Half Off Ponds be liable for direct, indirect, special, incidental, or consequential damages, whether based on contract, tort, or any other legal theory and whether advised of the possibility of such damages.

Half Off Ponds reserves the right to change or improve its products or any portions thereof without being obligated to provide such a change or improvement for units sold and/or shipped prior to such a change or improvement.

THERE ARE NO EXPRESS OR IMPLIED WARRANTIES, INCLUDING MERCHANTABILITY OR FITNESS FOR A PARTICULAR PURPOSE, WHICH EXTEND BEYOND THOSE WARRANTIES DESCRIBED OR REFERRED TO ABOVE EXCEPT AS EXPRESSLY HEREIN PROVIDED THE GOODS ARE SOLD "AS IS", THE ENTIRE RISK AS TO QUALITY AND FITNESS FOR A PARTICULAR PURPOSE, AND PERFORMANCE OF THE GOODS IS WITH THE BUYER, AND SHOULD THE GOODS PROVE DEFECTIVE FOLLOWING THEIR PURCHASE, THE BUYER AND NOT THE MANUFACTURER, DISTRIBUTOR, OR RETAILER ASSUMES THE ENTIRE RISK OF ALL NECESSARY SERVICING AND REPAIR.

Some jurisdictions do not allow the exclusions or limitation of incidental or consequential damages and some jurisdictions do not allow limitations on how long implied warranties may last or require you to pay certain expenses as set forth above. Therefore, the above limitations or exclusions may not apply to you. This warranty gives you specific legal rights and you may also have other rights which vary from jurisdictions to jurisdiction.



Half Off Ponds  
1000 Liberty Industrial Drive  
O'Fallon, MO 63366  
636-300-8165  
www.Half Off Ponds mfg.com

