

HALF OFF PONDS

Pressure Filter Owner's Manual



Introduction



PLEASE READ THIS MANUAL SAVE FOR FUTURE REFERENCE

THE INSTRUCTIONS AND WARNINGS HEREIN PRESUME EXISTING FAMILIARITY WITH THE DESIGN AND FUNCTION OF THESE AND SIMILAR PRODUCTS AND THEIR COMPONENTS.

The model(s) represented in this manual may have additions and/or modifications made at any time. Pictures represent a standard unit series and an actual unit may vary slightly. This manual is based on the latest products' information available at the time of creation or last revision. It is believed to be generally accurate and reliable. Please consult our customer service representatives here at Half Off Ponds if detailed information is desired, or whenever there is a question about a given unit's configuration or performance specifications at 1-866-831-6558.

Congratulations on your purchase of a **Half Off Ponds Pressure Filter!** Thank you for being a valued customer! We are grateful for the opportunity to provide you with superior products, such as a Half Off Ponds Pressure Filter that is manufactured to the highest standards using quality materials.



PRESSURE FILTER MODEL CHART

Pressure Filter Series Model #	Rated Voltage / Hertz	UV Watts	Rated Current Input (Amps)	Maximum Pump Size (GPH)	Maximum Water Garden (Gallons)	Maximum Fish Ponds (Gallons)
PPF1000	120V, 60Hz	9	0.075A	1,000	1,000	500
PPF2000	120V, 60Hz	13	0.108A	2,000	2,000	1,000
PPF3000	120V, 60Hz	24	0.2A	3,000	3,000	1,500
PPF4000	120V, 60Hz	36	0.3A	4,000	4,000	2,000

Introduction



Safety First

It is recommended that you thoroughly read and understand this manual prior to first startup and before you attempt to service the model to which **Half Off Ponds Pressure Filter** this applies.

If you have any questions, we'll be happy to help. Please call us, at 1-866-831-6558.

THE FOLLOWING CAUTIONS AND WARNINGS ARE FOR YOUR OWN SAFETY!

Attention: This filter is not intended for use by persons, (including children) with reduced physical sensory or mental capabilities, or lack of experience and knowledge, unless they have been given supervision or instruction concerning use of the pressure filter by a person responsible for their safety.

This filter is designed to be used outdoors, but does **not** require to be submerged.



Never plug-in, or otherwise use this product, if any part of it appears to be damaged or operates abnormally. If you need help troubleshooting, please call us at (888)333-2356.



Never operate this pressure filter connected to any voltage other than that shown on the pressure filter.

This pressure filter is designed to be earthed.



Never leave children unattended around this pressure filter while operating.



Always have this pressure filter connected to properly grounded GFCI electrical outlet **only!** A "hard-wire" installation will result in your warranty being voided.



Always disconnect from electrical supply before handling, or maintenance or troubleshooting is performed on your pressure filter.



The **UV light** needs to be turned "**OFF**" when there is no water inside your pressure filter to avoid overheating.



Avoid direct contact to your skin and exposure to your eyes from the **UV** light. It can be extremely harmful and will result in injury.



ELECTRICAL SHOCK HAZARD

This product must be grounded.

Do not modify the plug provided. Only plug into a GFCI electrical outlet. If you do not have a GFCI electrical outlet, we recommend you have one properly installed by a qualified electrician.

If The cord should ever need a repair or replacement, please contact Half Off Ponds' Customer Support Representatives for further instructions on how to have your product serviced. **NEVER** modify the cord or plug on your product!

Be sure that your source of power is correctly wired and in proper operating condition. Never hard-wire or permanently connect this product to a power source!

Failure to follow these instructions can result in fire, a serious injury from electrical shock, or even death!



Attention: Do not operate this pressure filter under any condition other than those for which it is specified. Failure to observe these precautions can result in serious injury and will void the warranty!

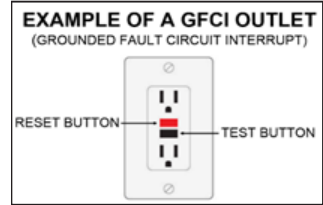
Remember, Correct Installation Is Your Responsibility!

Make sure you have the proper installation conditions. The **Half Off Ponds Pressure Filter** needs to be protected from any objects/debris during operation. Before beginning assembly or operation of product, make sure all parts are present.

If any part of your **Half Off Ponds Pressure Filter** is *missing* or *damaged*, **do not attempt to assemble, install, or operate.**

Electrical Requirements

This pressure filter is rated at 120 Volts 60Hz. Only use a power supply rating voltage at 120 volts and 60Hz, which complies with that listed on label on the **Half Off Ponds Pressure Filter**. The cord must be plugged into a GFCI outlet that is properly installed and grounded in accordance with all local codes and ordinances.



A hard-wired installation is **not** recommended and **will** result in the warranty being voided!

It is your responsibility to contact a qualified electrician and assure that the electrical installation is adequate and in conformance with all national and local codes and ordinances. Make sure this pressure filter is securely installed before any operation.

How the Pressure Filter Works

Stage 1 – Mechanical Filtration

Water is pumped into the Half Off Ponds Pressure Filter creating the necessary pressure to begin the mechanical filtration stage. There is a series of ribbons specially designed to effectively remove all sizes of unwanted debris.

Stage 2 – Biological Filtration

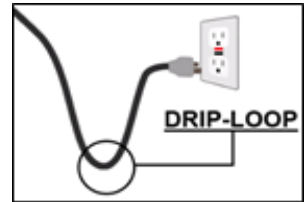
There is a large number of biochemical ribbons (Springflo) inside your Half Off Ponds Pressure Filter where the biological filtration stage begins. This stage uses Springflo providing a habitat for beneficial bacteria to grow. These bacteria naturally convert harmful ammonia and other wastes into healthy nitrates that fertilize aquatic plants and support a healthy pond environment.

Stage 3 – UV Filtration

The final filtering stage uses an Ultra-Violet (UV) Light located in the middle of your series of filters. Exposure to the UV light helps clarify as the water passes upward through the filter on its way back to your water feature.

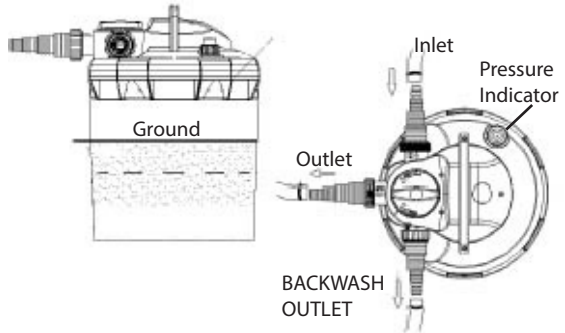
Operation

- It is easy to clean the filter! Simply lift the handle and pull the drawbar up and down to agitate the filter media, the machine will self-clean and purge the Springflo within while running the “backwash” function of your pressure filter.
- The clear small window on the filter allows you to monitor easily, and safely, when the UV lamp is operating.
- The pressure filter should not be susceptible to damage from any loose debris, mud, or rocks in the pond to prevent the filter from becoming prematurely clogged or cause serious damage to your pressure filter, or any fish you may have in your pond.
- The electrical connection should be secured in a water-proof place and should be at least 6 feet (2 meters) away from the water feature. Ensure that the cord loops below the electrical outlet to form a “Drip Loop”. This will prevent water from running down the cord into the electrical outlet.
- The pressure filter can be switched on by simply plugging it in and switched off by un-plugging it.
- A routine maintenance schedule is critical for proper operation of your pressure filter and will give it a longer operational-life.
- When adding bacteria to your pressure filter, make sure your UV Bulb is turned off for 48 hours.
- If you have any other questions about your Half Off Ponds Pressure Filter, call us at 1-866-831-6558. We will help!



Installation

Choose suitable place to install the Half Off Ponds Pressure Filter. You will need to dig a six-inch-deep channel connecting the pressure filter and upper pond basins. This channel will allow you to bury and conceal the tubing once connected. You will also need to create a hole to partially bury the pressure filter. While keeping it in an upright and level position, the pressure filter can be buried in the ground up to the pressure filter's clips/clamp.



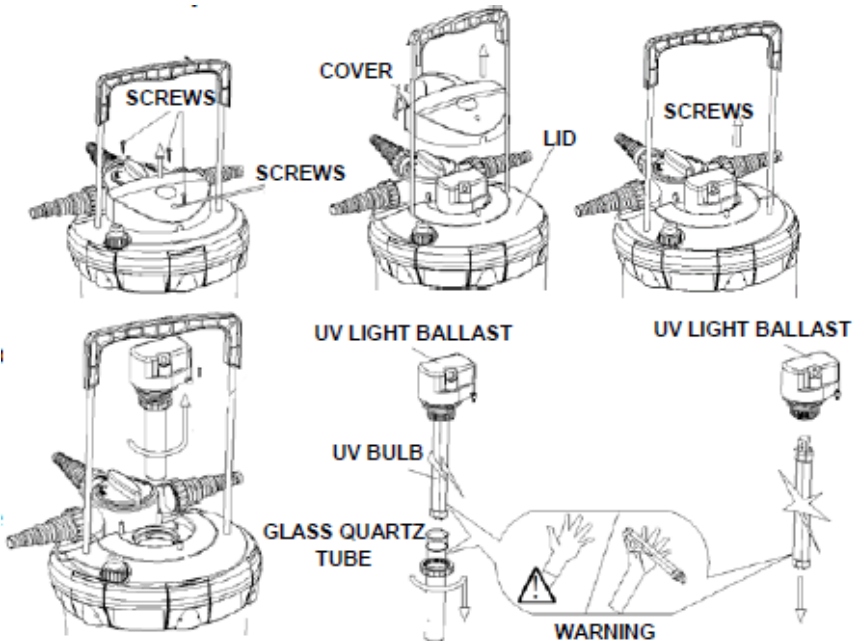
Pro Tip: When using our Flexible PVC Pipe or any other “hard” pipe, we recommend using the appropriate sized unions during your installation, so the lid of the pressure filter can be easily removed.

Connect your pump to the pressure filter tubing connector barb marked by the symbol “inlet” arrow with flexible hose. Lay the hose in the channel. Attach the tubing to the filters connector marked by the symbol “outlet” arrow and lay it in the channel leading to the upper pond basin. You should use stainless steel clamps to create a water tight seal at all your tubing connections (filter and pump). The correct functioning of the UV Bulb is indicated by the lighting visible on the top of the outer lid. After submerging the pump in water, plug-in both the pump and pressure filter to check their performance.

Changing the UV Bulb

If your pond water is turning green in color, make sure your UV Bulb is turned on. If your UV Bulb has been installed for 9 months or is no longer producing UV Rays, it may need to be replaced.

To change the UV Bulb, first unplug the pump and pressure filter from their power sources. Pull the drawbar to the top, loosen the three screws on the cover, and remove the cover. Rotate the lid cover, until the arrows on the lid cover aim at the arrow on the ring holder. Remove the cover from the top of the pressure filter's lid. Unscrew the UV light assembly counterclockwise and gently lift out. Allow UV Light Ballast and UV Bulb to cool and dry completely before handling. While waiting for the UV Bulb and Ballast to cool, properly clean the glass quartz tube where the bulb is placed. Loosen the fixed nut and remove the central tube which connects to the lid, extract the glass tube, remove possible calcareous deposits on the tube. When the Glass Quartz Tube is cleaned properly, replace it back into you pressure filter. Your UV Bulb and Ballast should be cool and dry now. Grip the base of the UV Bulb with a dry cloth and gently pull the bulb from the Ballast (do not pull on the bulb by gripping the glass element). Slide new UV Bulb into place until properly seated. Do not test UV light until the filter has been reassembled ensuring the O-rings and gaskets are correctly placed! We recommend replacing your UV Bulb every 9-16 months. Never look directly into your UV Bulb! If you are having issues replacing your UV Bulb, please call us at **1-866-831-6558**.



LIMITED WARRANTY

Products manufactured by HALF OFF PONDS are warranted to the original user only to be free of defects in material and workmanship for a period of 24 months from the date of purchase, but not more than 30 months from the date of manufacture. HALF OFF PONDS liability under this warranty shall be limited to repairing or replacing, at HALF OFF PONDS's discretion, without charge, F.O.B. HALF OFF PONDS will not be liable for any cost of removal, installation, transportation, or any other charges which may arise in connection with a warranty claim. Products which are sold but not manufactured by HALF OFF PONDS are subject to the warranty provide by the manufacturer of said product(s) and not by HALF OFF PONDS's warranty. HALF OFF PONDS will not be liable for damage or wear to products caused by abnormal operating conditions, accident, abuse, misuse, unauthorized alteration or repair, or if the product was not installed in accordance with HALF OFF PONDS's printed installation and operating instructions.

To obtain service under this warranty, the defective product must be returned to the distributor or dealer of HALF OFF PONDS's products from which it was purchased together with proof of purchase and installation date, failure date, and supporting installation data. Unless otherwise provided, the distributor or dealer will contact HALF OFF PONDS or an authorized service station for instructions. Any defective product to be returned to HALF OFF PONDS or a service station must be sent freight prepaid: documentation supporting the warranty clam and/or a Return Material Authorization (RMA) must be included if so instructed. In the absence of suitable proof of purchase date, the effective date of this warranty will be based upon the date of manufacture.

Any replacement product may be either new or like-new, provided that it has functionality at least equal to that of the product being replaced. No requests for service under this warranty will be accepted if received more than 30 days after the term of the warranty. Correction of defects, in the manner and for the duration of the warranty described in this warranty, shall constitute complete fulfillment of all liabilities and responsibilities of HALF OFF PONDS to the user with respect to the product, and shall constitute full satisfaction of all claims, whether based on contract, negligence, strict liability or otherwise. Except for the obligations specifically set forth in this warranty, in no event shall HALF OFF PONDS be liable for direct, indirect, special, incidental, or consequential damages, whether based on contract, tort, or any other legal theory and whether advised of the possibility of such damages.

HALF OFF PONDS reserves the right to change or improve its products or any portions thereof without being obligated to provide such a change or improvement for units sold and/or shipped prior to such a change or improvement.

THERE ARE NO EXPRESS OR IMPLIED WARRANTIES, INCLUDING MERCHANTABILITY OR FITNESS FOR A PARTICULAR PRUPOSE, WHICH EXTEND BEYOND THOSE WARRANTIES DESCRIBED OR REFERRED TO ABOVE EXCEPT AS EXPRESSLY HERIN PROVIDED THE GOODS ARE SOLD "AS IS", THE ENTIRE RISK AS TO QUALITY AND FITNESS FOR A PARTICULAR PURPOSE, AND PERFORMANCE OF THE GOODS IS WITH THE BUYER, AND SHOULD THE GOODS PROVE DEFECTIVE FOLLOWING THER PURCHASE, THE BUYER AND NOT THE MANUFACTUREER, DISTRIBUTOR, OR TERTAILER ASSUMES THE ENTIRE RISK OF ALL NECESSARY SERVICING AND REPAIR.

Some jurisdictions do not allow the exclusions or limitation of incidental or consequential damages and some jurisdictions do not allow limitations on how long implied warranties may last or require you to pay certain expenses as set forth above. Therefore, the above limitations or exclusions may not apply to you. This warranty gives you specific legal rights and you may also have other rights which vary from jurisdictions to jurisdiction.



Half Off Ponds
1004 Liberty Industrial Drive
O'Fallon, MO 63366

1-866-831-6558
www.halfoffponds.com